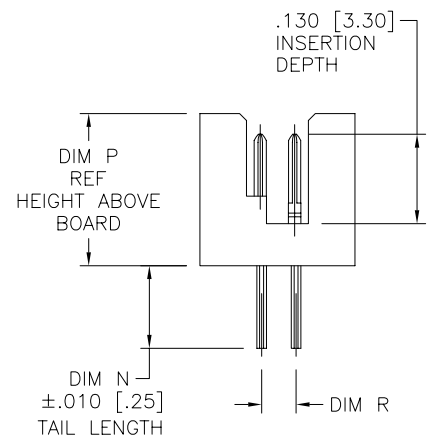
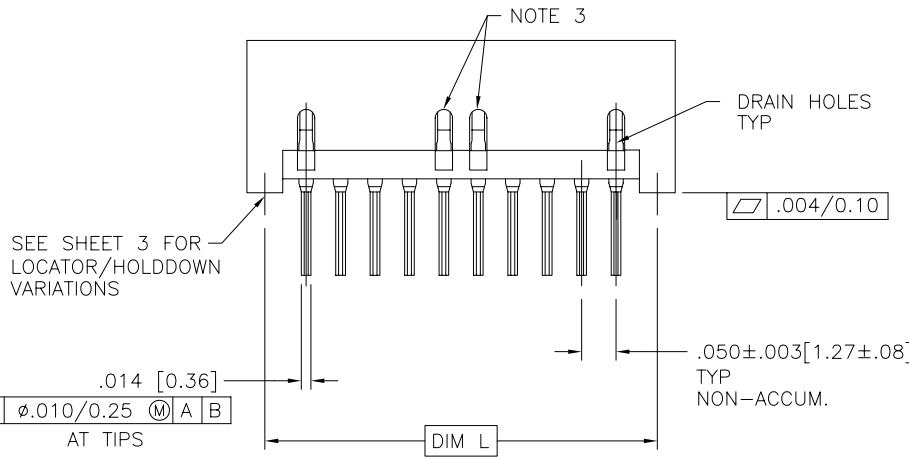
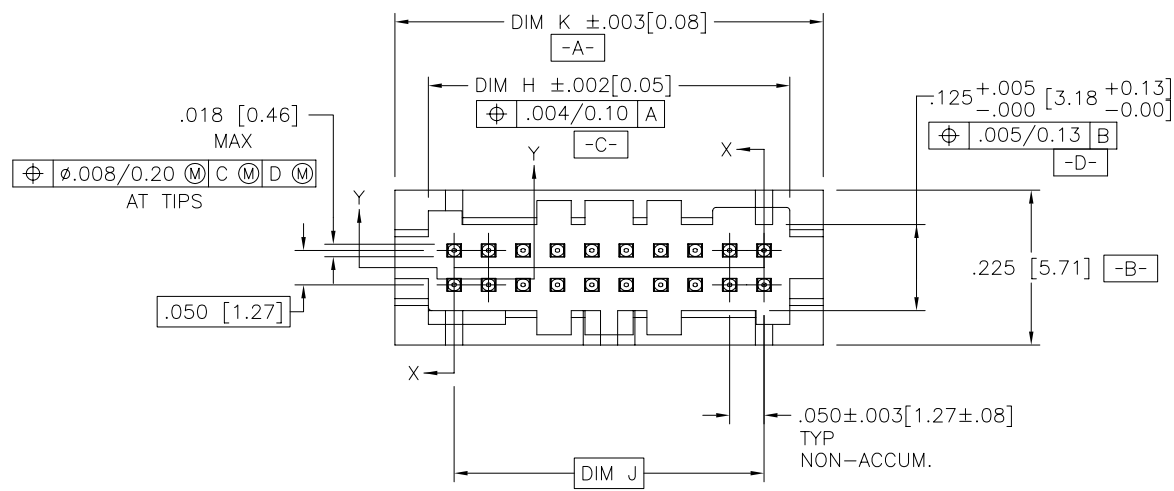


PRODUCT NUMBER  
SEE TABLE



FCIconnect.com

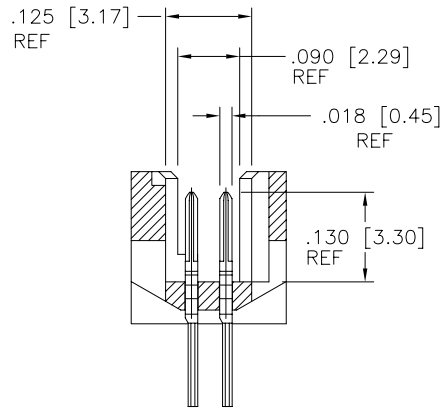
Copyright FCI

mat'l. code		surface		tolerance		projection		product family	
-		ISO 1302 ✓		ISO 406 ISO 1101				RIBCAGE	
ltr		ecn no/dr		date		tolerances unless otherwise specified		title	
H		V80709 EPK		4/20/98		.xx±.01/0.3		RIBCAGE III T/M	
J		V91778 EPK		8/13/99		.xxx±.005/0.13		VERT. HEADER ASS'Y	
K		V10994 CRG		3/15/01		.xxxx±.0020/0.051		scale 4:1	
L		J10329 CRG		6/6/01		dr M. CORNMANN 6/6/95		dwg no	
M		M05-0123 MHT		6/06/05		engr D. WHITING 6/6/95		sheet 1 of 6 size	
N		M06-0225 ERE		06/12/06		chr D. WHITING 6/6/95		95776 A3	
P		M06-0370 MHT		9/26/06		app'd D. WHITING 6/6/95		type Product Customer Drawing	
sheet index		revision		P P P P P P P		P P P P P P P			
sheet		1 2 3 4 5 6							

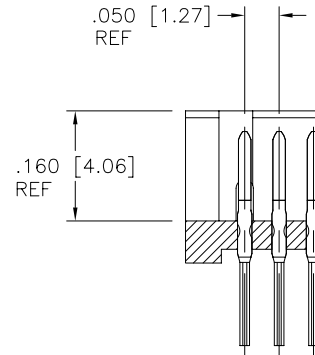
form: A3

PRODUCT NUMBER  
SEE TABLE

SIZE	DIM H	DIM J	DIM K	DIM L
2X5	.275/6.99	.200/5.08	.372/9.45	.320/8.13
2X10	.525/13.34	.450/11.43	.622/15.80	.570/14.48
2X15	.775/19.68	.700/17.78	.872/22.15	.820/20.83
2X20	1.025/26.03	.950/24.13	1.122/28.50	1.070/27.18
2X25	1.275/32.38	1.200/30.48	1.372/34.85	1.320/33.53
2X30	1.525/38.74	1.450/36.83	1.622/41.20	1.570/39.88
2X35	1.775/45.08	1.700/43.18	1.872/47.55	1.820/46.23
2X40	2.025/51.43	1.950/49.53	2.122/53.90	2.070/52.58
2X45	2.275/57.78	2.200/55.88	2.372/60.25	2.320/58.93
2X50	2.525/64.14	2.450/62.23	2.622/66.60	2.570/65.28



SECTION X-X  
ROTATED 90° CW



SECTION Y-Y

mat'l. code		surface		tolerance		projection		product family	
-		ISO 1302 ✓		ISO 406 ISO 1101		⊕		RIBCAGE	
ltr		ecn no		date		tolerances unless otherwise specified		title	
P						.xx±.01/0.3 .xxx±.005/0.13 .xxxx±.0020/0.051		RIBCAGE III T/M VERT. HEADER ASS'Y	
				0°±2'		linear		INCH/MM	
								scale 4:1	
				dr		M. CORNMAN		6/6/95	
				enr		D. WHITING		6/6/95	
				chr		D. WHITING		6/6/95	
				appd		D. WHITING		6/6/95	
sheet		revision						FCJ	
index		sheet						dwg no	
								95776	
								sheet 2 of 6 size	
								A3	
								type Product Customer Drawing	

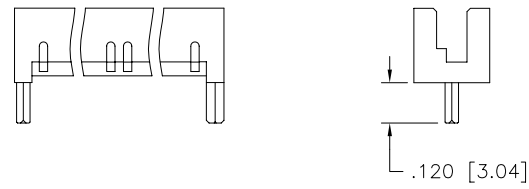
PRODUCT NUMBER  
SEE TABLE

# LOCATOR/HOLDDOWN VARIATIONS

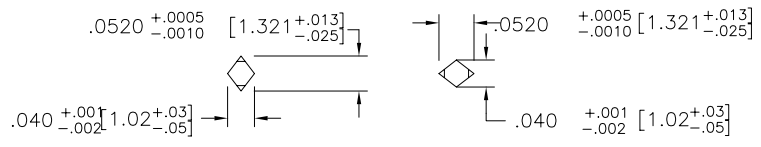
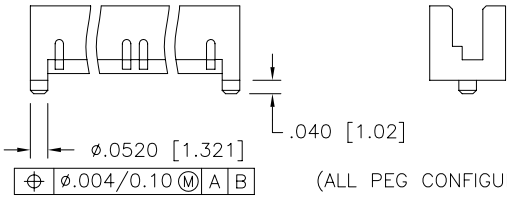
STYLE 1



STYLE 6

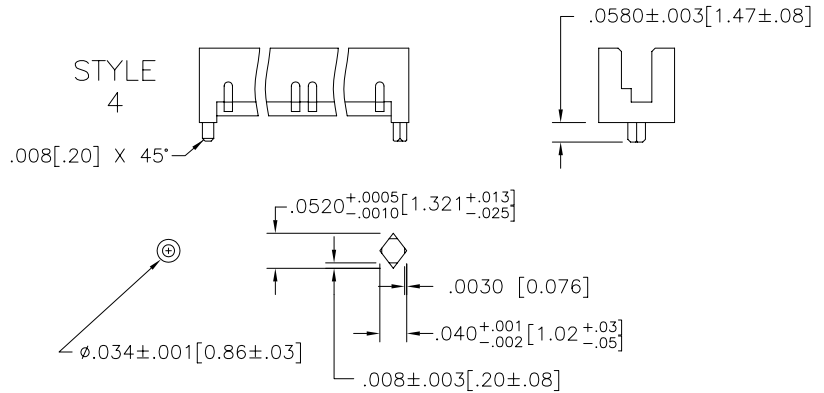


STYLE 2

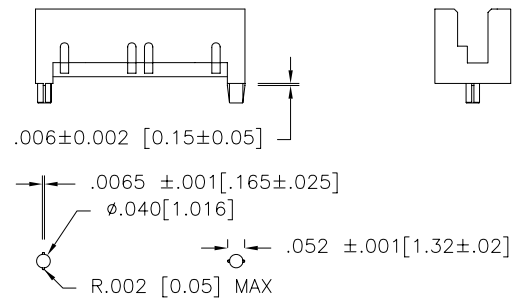


(ALL PEG CONFIGURATIONS)

STYLE 4



STYLE 7



FCIconnect.com

Copyright FCI

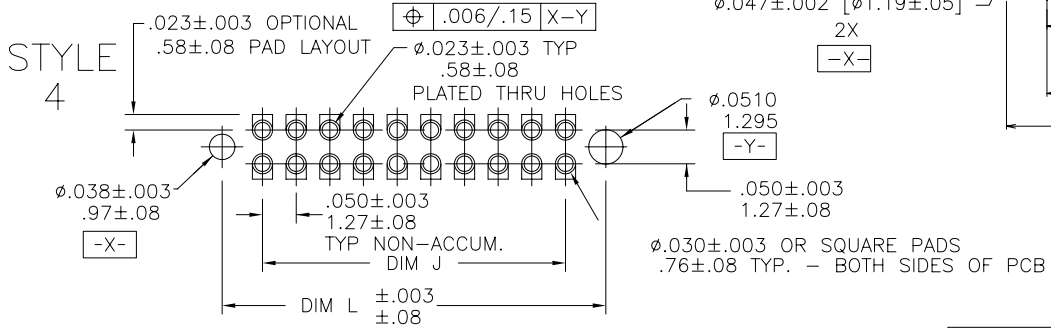
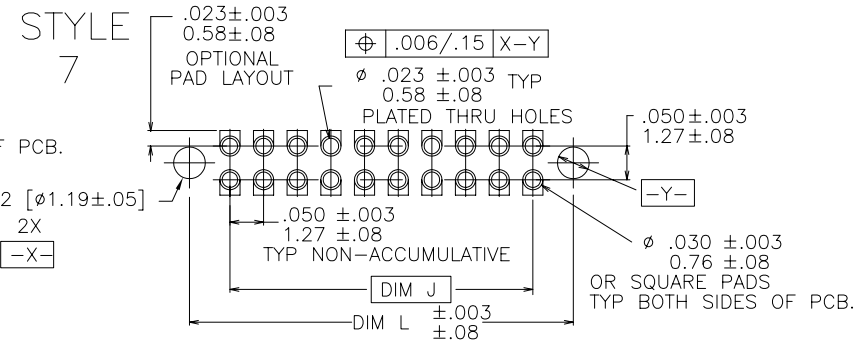
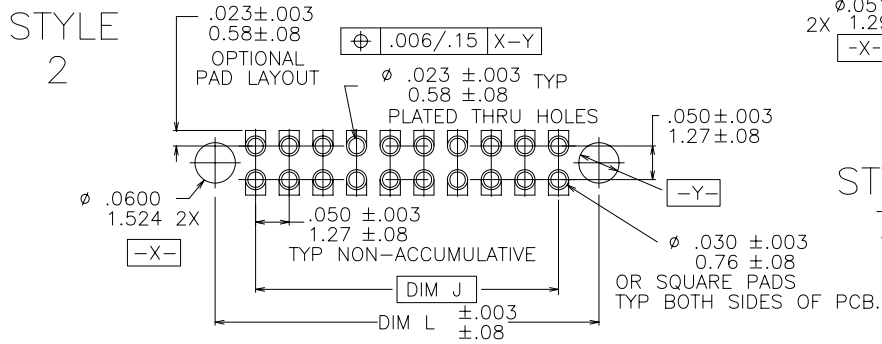
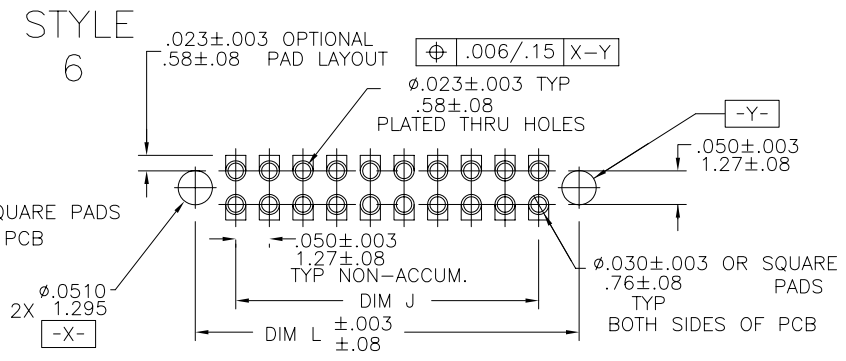
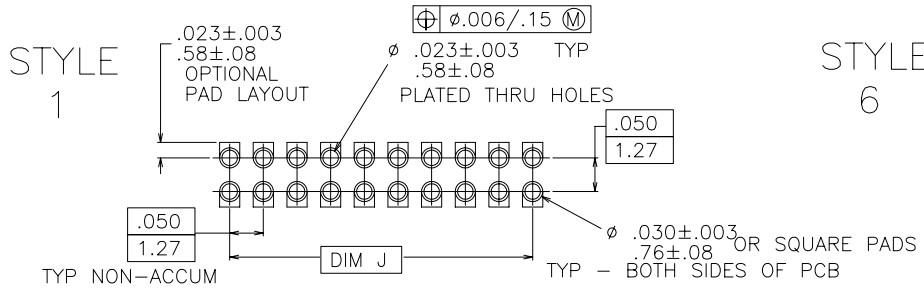
mat'l. code		surface		tolerance		projection		product family	
-		ISO 1302 <input checked="" type="checkbox"/>		ISO 406				RIBCAGE	
ISO 1101		tolerances unless otherwise specified		INCH/MM		title			
P		angles		linear		RIBCAGE III T/M			
		0'±2'		.xxx±.005/0.13		VERT. HEADER ASS'Y			
				.xxxx±.0020/0.051		scale 4:1			
		dr		M. CORNMAN		6/6/95		dwg no	
		enfr		D. WHITING		6/6/95		sheet 3 of 6 size	
		chr		D. WHITING		6/6/95		95776 A3	
		appd		D. WHITING		6/6/95		type Product Customer Drawing	
sheet index		revision sheet							



form: A3

PRODUCT NUMBER  
SEE TABLE

# RECOMMENDED P. C. B. LAYOUT



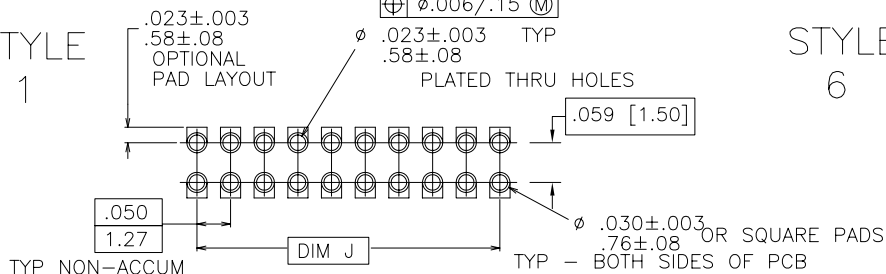
mat'l. code		surface		tolerance		projection		product family	
-		ISO 1302 ✓		ISO 406		ISO 1101		RIBCAGE	
ltr		ecn		no		dr		date	
P									
angles		linear		.xx±.01/0.3		INCH/MM		title	
0'±2'				.xxx±.005/0.13		scale 4:1		RIBCAGE III T/M	
				.xxxx±.0020/0.051				VERT. HEADER ASS'Y	
dr		M. CORNMAN		6/6/95		FCI		dwg no	
enrg		D. WHITING		6/6/95				sheet 4 of 6 size	
chr		D. WHITING		6/6/95				95776 A3	
appd		D. WHITING		6/6/95				type Product Customer Drawing	
sheet index		revision sheet							

form: A3

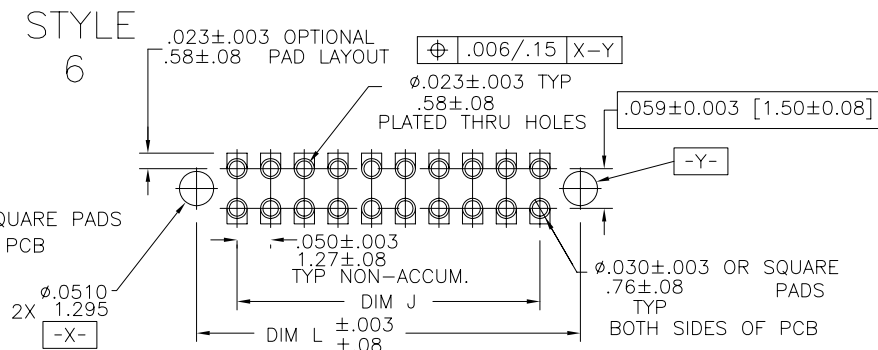
PRODUCT NUMBER  
SEE TABLE

# RECOMMENDED P. C. B. LAYOUT

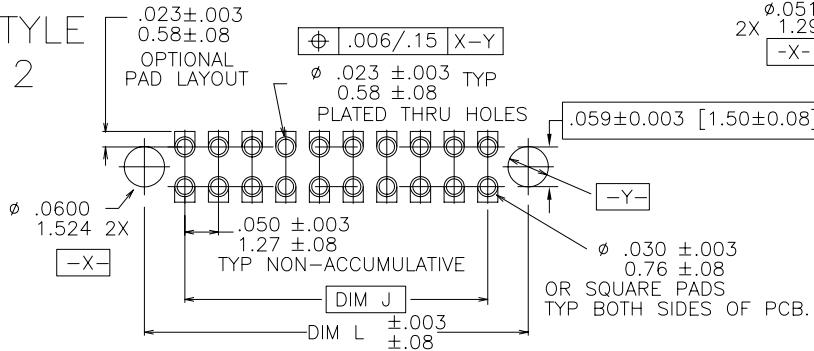
STYLE  
1



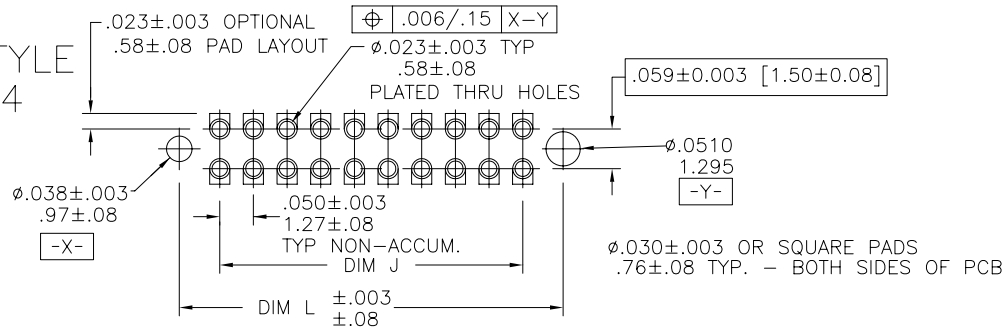
STYLE  
6



STYLE  
2



STYLE  
4



mat'l. code		surface		tolerance		projection		product family	
-		ISO 1302 ✓		ISO 406 ISO 1101				RIBCAGE	
ltr	ecn	no	dr	date	tolerances unless otherwise specified				title
P					angles	linear	.xx±.01/0.3	INCH/MM	
					0'±2'		.xxx±.005/0.13	RIBCAGE III T/M VERT. HEADER ASS'Y	
							.xxxx±.0020/0.051	scale 4:1	
					dr	M. CORNMAN	6/6/95	dwg no	
					enfr	D. WHITING	6/6/95	sheet 5 of 6 size	
					chr	D. WHITING	6/6/95	95776 A3	
					appd	D. WHITING	6/6/95	type Product Customer Drawing	
sheet	revision								
index	sheet								

PRODUCT NO. NOTE 1,7	DIM N SOLDER TAIL LENGTH	DIM P HEIGHT ABOVE BOARD (REF)	DIM R SOLDER TAIL SPREAD	HOLDDOWN STYLE	PRODUCT NO. NOTE 1,7	DIM N SOLDER TAIL LENGTH	DIM P HEIGHT ABOVE BOARD (REF)	DIM R SOLDER TAIL SPREAD	HOLDDOWN STYLE
72449-1XX	.090/2.29	.221/5.63	.050/1.27	2	87400-1XX	.075/1.91	.221/5.63	.059/1.50	2
72450-1XX	.075/1.91	.293/7.44		2	87405-1XX	.075/1.91			1
72451-1XX	.115/2.92	.221/5.63		2	87405-2XX	.090/2.29			1
72452-1XX	.115/2.92	.221/5.63		6	87406-1XX	.075/1.91			6
73541-1XX	.075/1.91	.293/7.44		1	87406-2XX	.100/2.54			6
73543-1XX	.090/2.29	.359/9.12		1	87410-1XX	.090/2.29	.221/5.63		2
87407-1XX	.090/2.29	.221/5.63		1	87411-1XX	.075/1.91	.293/7.44		2
87850-1XX	.075/1.91			2	87412-1XX	.115/2.92	.221/5.63		2
87851-1XX	.075/1.91			6	89297-1XX	.115/2.92	.221/5.63	.059/1.50	6
88550-1XX	.135/3.43			2					
89289-1XX	.075/1.91			1					
89465-1XX	.115/2.92			1					
93149-1XX	.075/1.91			4					
98382-1XX	.090/2.29	.221/5.63		7					
98383-1XX	.090/2.29	.293/7.44		1					
98384-1XX	.090/2.29	.293/7.44		7					
98385-1XX	.090/2.29	.359/9.12	.050/1.27	7					

- THIS PRODUCT MEETS EUROPEAN UNION DIRECTIVES AND OTHER COUNTRY REGULATION AS DESCRIBED IN GS-22-008.
- THE HOUSING WILL WITHSTAND EXPOSURE TO 260°C PEAK TEMPERATURE FOR 15 SECONDS IN A WAVE SOLDER APPLICATION WITH A 1.5mm MINIMUM THICK CIRCUIT BOARD. SEE APPLICATION NOTES/PROCEDURES IF THEY ARE AVAILABLE.

NOTES:

- XXXXX-XXXLF  
  - LEAD FREE OPTION (NOTE 7,8)
  - NUMBER OF POSITIONS (NOTE 2)
- NUMBER OF POSITIONS = 05 THRU 50 IN 5 POS INCREMENTS. (EXAMPLE: 105=10 POS., 110=20 POS. ETC.)
- REQUIRED ON -X40,-X45 & -X50 POSITION PARTS ONLY.
- PACKAGE PER BUS-14-179.
- HOUSING MATERIAL:  
GLASS FILLED THERMOPLASTIC FLAME RETARDANT  
PER UL 94V-0.  
COLOR: BLACK.
- TERMINAL PLATING:  
30u"/.76u MIN HARD Au OVER 50u"/1.27u Ni ON CONTACT ZONES.  
100u"/2.54u MIN Sn OVER 50u"/1.27u Ni IN SOLDERING ZONES.
- ADD "LF" SUFFIX AT THE END OF PART NUMBER FOR LEAD FREE OPTION.

mat'l. code		surface		tolerance		projection		product family	
-		ISO 1302 ✓		ISO 406 ISO 1101				RIBCAGE	
ltr	ecn	no	dr	date	tolerances unless otherwise specified			title	
P					angles	linear	.XX±.01/0.3	RIBCAGE III T/M	
					0'±2'		.XXX±.005/0.13	VERT. HEADER ASS'Y	
							.XXXX±.0020/0.051	scale 4:1	
					dr	M. CORNMAN	6/6/95	dwg no	
					enrg	D. WHITING	6/6/95	sheet 6 of 6 size	
					chr	D. WHITING	6/6/95	95776 A3	
					appd	D. WHITING	6/6/95	type Product Customer Drawing	
sheet	revision								
index	sheet								

Copyright FCI  
 FCIconnect.com